



7mm Winchester Short Magnum

with 160-grain DeepCurl® Soft Point

LABNOTES

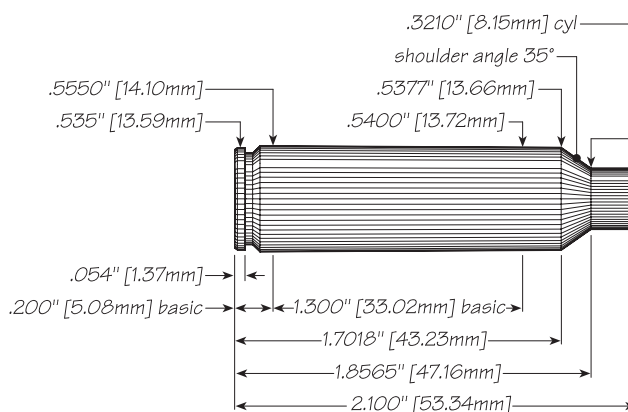
The 7mm Winchester Short Magnum (WSM) was introduced in 2002 with the 270 WSM as companions to the very popular 300 WSM cartridge introduced the previous year. The 7mm version is in the same class as the 270 WSM; the real advantage to its being a 28-caliber is a wider selection of component bullet weights, and the ability to load heavier weights than typically available in 27-caliber. The handloader will see little difference between the Winchester and Remington versions of the 7mm "Short Mags." Like the 7mm Remington Short Action Ultra Magnum (RSAUM), the WSM version handles the full range of 0.284-inch components, including the long 175-grain bullet.



0.284"	DeepCurl SP
Weight, grains	160
Ballistic Coefficient	0.455
Sectional Density	0.310
COAL Tested:	2.860"
Speer Part No.	1639

Propellant Make	Propellant Type	START CHARGE		MAXIMUM CHARGE	
		Weight, grs	Muzzle Velocity, ft/sec	Weight, grs	Muzzle Velocity, ft/sec
Hodgdon	Retumbo*	69.0	2869	73.0 C	3029
Alliant	RE25*	66.5	2843	70.5	3003
Alliant	PP4000*	60.0	2793	64.0	2973
Alliant	RE22*	62.5	2803	66.5	2958
IMR	IMR 7828*	62.0	2774	66.0	2948

Don't see your favorite propellant? Don't worry. We are currently in the process of rigorously analyzing additional load data and will post as soon as it becomes available.



WARNING: Improper handloading practices can result in serious personal injury and/or property damage. Refer to the current Speer® Reloading Manual for handloading instructions. Be thoroughly familiar with those instructions before using these loads. As Vista Outdoor Operations LLC has no control over individual handloading practices or the condition of firearms in which the resulting ammo may be used, we disclaim all liability for any damages that may result from the use of this information.

Speer, CCI, Federal, RCBS, Alliant, and Reloder are registered trademarks of Vista Outdoor Operations LLC and its subsidiary companies.

Max. Case Length:	2.100"	Cart. Case:	Federal®
Trim-to Length:	2.090"	Primer:	Fed 215*
Max Cart. OAL:	2.860"	Test Firearm:	Universal Receiver
RCBS® Shell Holder:	#43	Barrel Length:	24"

Maximum Loads should be used with CAUTION • C = Compressed Load • * Magnum Primer used with this powder.