



# 308 Winchester

with 180-grain DeepCurl® Soft Point

## LABNOTES

Although a 180-grain bullet doesn't post impressive velocities from the 308 Winchester's small case, the 180-grain Speer® DeepCurl® is still a great hunting partner in this cartridge. Hunting history tells us that a long, heavy bullet launched between 2400 and 2600 feet per second is an impressive game-getter, making clean kills and producing a minimum of damage to edible meat.

The bonded 180-grain DeepCurl is the perfect 308 Win. bullet in deep cover. It can handle most non-dangerous game animals within 200 yards. If the hunter takes time to learn and appreciate his rifle's trajectory with this bullet, he can stretch that range somewhat should a longer shot present itself.

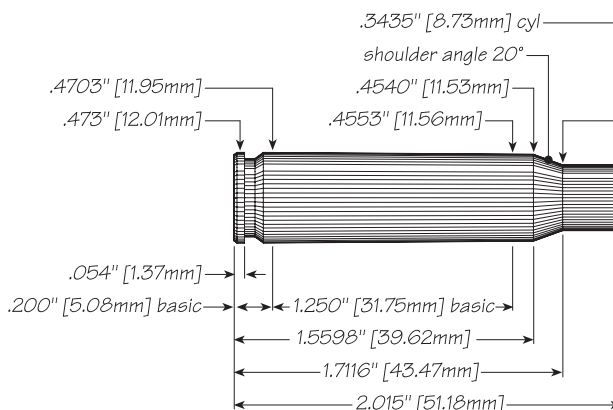
**WARNING:** Improper handloading practices can result in serious personal injury and/or property damage. Refer to the current Speer® Reloading Manual for handloading instructions. Be thoroughly familiar with those instructions before using these loads. As Vista Outdoor Operations LLC has no control over individual handloading practices or the condition of firearms in which the resulting ammo may be used, we disclaim all liability for any damages that may result from the use of this information.

Speer, Federal, RCBS, Alliant, and Reloder are registered trademarks of Vista Outdoor Operations LLC and its subsidiary companies.



0.308"	DeepCurl SP
Weight, grains	180
Ballistic Coefficient	0.483
Sectional Density	0.271
COAL Tested:	2.700"
Speer Part No.	2043

Propellant Make	Propellant Type	START CHARGE		MAXIMUM CHARGE	
		Weight, grs	Muzzle Velocity, ft/sec	Weight, grs	Muzzle Velocity, ft/sec
Alliant®	Reloder® 17	44.0	2372	<b>48.0C</b>	2606
Winchester	760*	42.0	2287	<b>46.0C</b>	2584
Ramshot	Big Game*	45.0	2432	<b>49.0C</b>	2583
Alliant®	Reloder® 15	39.0	2342	<b>43.0C</b>	2561
VihtaVuori	N540	40.0	2301	<b>44.0C</b>	2540
Hodgdon	Varget	39.0	2309	<b>43.0C</b>	2530
Hodgdon	H414*	41.0	2273	<b>45.0C</b>	2509
IMR	IMR 4895	38.0	2253	<b>42.0C</b>	2492
IMR	IMR 3031	35.0	2243	<b>39.0</b>	2472



<b>Max. Case Length:</b>	2.015"	<b>Cart. Case:</b>	Federal®
<b>Trim-to Length:</b>	2.005"	<b>Primer:</b>	Fed 210; 215*
<b>Max Cart. OAL:</b>	2.810"	<b>Test Firearm:</b>	Universal Receiver
<b>RCBS® Shell Holder:</b>	#3	<b>Barrel Length:</b>	24"

Maximum Loads should be used with CAUTION • C = Compressed Load • \* Magnum Primer used with this powder.