



# 300 Winchester Magnum

with 165-grain DeepCurl® Soft Point

## LABNOTES

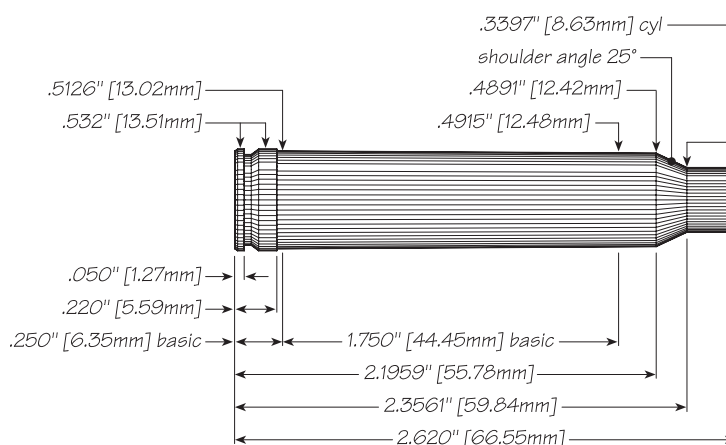
Users wishing to take advantage of the outstanding velocities achievable with the 300 Winchester Magnum would do well loading the 165-grain bullet. With sufficient weight to maintain tissue penetration and the superb accuracy inherent to Speer® DeepCurl® construction, many will find this bullet gives them a good balance of terminal ballistics and mid-range trajectory while avid shooters will appreciate a little less shoulder abuse than is common to the heavier options in this caliber. Ballistic coefficient remains quite high in the 165-grain, allowing hunters the advantage of a single load where their hunting terrain may vary from 'close quarters' to 'rolling expanses' in an afternoon.



0.308"	DeepCurl SP
Weight, grains	165
Ballistic Coefficient	0.441
Sectional Density	0.248
COAL Tested:	3.300"
Speer Part No.	2027

Propellant Make	Propellant Type	START CHARGE		MAXIMUM CHARGE	
		Weight, grs	Muzzle Velocity, ft/sec	Weight, grs	Muzzle Velocity, ft/sec
IMR	IMR 7828*	73.0	2939	<b>77.0</b>	3094
Alliant®	Power Pro™ 4000*	69.0	2920	<b>73.0</b>	3087
Hodgdon	H4831SC*	71.0	2838	<b>75.0</b>	2995

*Don't see your favorite propellant? Don't worry. We are currently in the process of rigorously analyzing additional load data and will post as soon as it becomes available.*



**WARNING:** Improper handloading practices can result in serious personal injury and/or property damage. Refer to the current Speer® Reloading Manual for handloading instructions. Be thoroughly familiar with those instructions before using these loads. As Vista Outdoor Operations LLC has no control over individual handloading practices or the condition of firearms in which the resulting ammo may be used, we disclaim all liability for any damages that may result from the use of this information.

Speer, CCI, Federal, RCBS, Alliant, and Reloder are registered trademarks of Vista Outdoor Operations LLC and its subsidiary companies.

<b>Max. Case Length:</b>	2.620"	<b>Cart. Case:</b>	Federal®
<b>Trim-to Length:</b>	2.610"	<b>Primer:</b>	CCI® 250*
<b>Max Cart. OAL:</b>	3.340"	<b>Test Firearm:</b>	Universal Receiver
<b>RCBS® Shell Holder:</b>	#4	<b>Barrel Length:</b>	24"

Maximum Loads should be used with CAUTION • C = Compressed Load • \* Magnum Primer used with this powder.