



# 30-30 Winchester

with 150-grain DeepCurl® Flat Nose Soft Point

## LABNOTES

The 30-30 Winchester has maintained popularity in spite of an ever-increasing arsenal of newer and more powerful 30-caliber cartridges. Surprising to many, it is also widely reloaded.

The DeepCurl® 150-grain flat nose soft point was expressly engineered for the 30-30 cartridge and is a perfect all-around bullet for small to medium sized deer. All bullets handloaded for rifles having tubular magazines must have a flat, soft tip and a crimping cannellure for safety; This bullet, as well as the 170 grain DeepCurl, meet this requirement.

The velocities shown here were obtained in a 24-inch barrel. We have found that the 30-30 does not lose much velocity when fired in a 20-inch carbine. This is largely due to the 30-30's ability to handle relatively fast-burning propellants.

Although, the 30-30 is not a long-range cartridge, you will find that zeroing this bullet at 150 yards, when loaded to around 2400 feet per second, will put the bullet only 1.5 inches high at 100 yards. It will remain within an 8-inch vital zone to 200 yards, without holdover, using this site-in strategy.

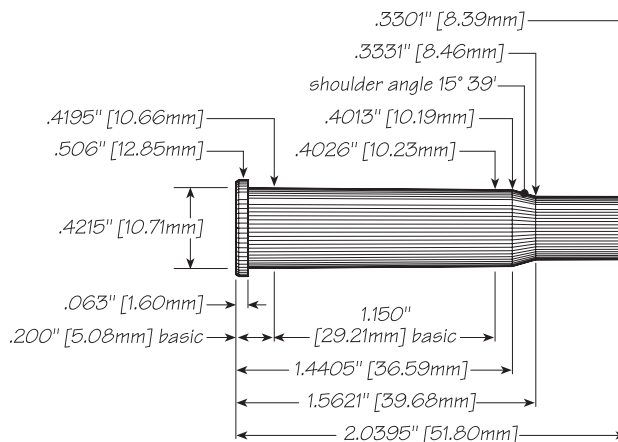
**WARNING:** Improper handloading practices can result in serious personal injury and/or property damage. Refer to the current Speer® Reloading Manual for handloading instructions. Be thoroughly familiar with those instructions before using these loads. As Vista Outdoor Operations LLC has no control over individual handloading practices or the condition of firearms in which the resulting ammo may be used, we disclaim all liability for any damages that may result from the use of this information.

Speer, CCI, Federal, RCBS, Alliant, DeepCurl and Reloder are registered trademarks of Vista Outdoor Operations LLC and its subsidiary companies.



<b>0.308"</b>	<b>DeepCurl FNSP</b>
Weight, grains	150
Ballistic Coefficient	0.255
Sectional Density	0.226
COAL Tested:	2.510"
Speer Part No.	2012

Propellant Make	Propellant Type	START CHARGE		MAXIMUM CHARGE	
		Weight, grs	Muzzle Velocity, ft/sec	Weight, grs	Muzzle Velocity, ft/sec
Ramshot	Big Game*	39.0	2265	43.0C	2410
Winchester	748*	31.5	2110	35.5	2335
Hodgdon	Varget	31.0	2053	35.0	2328
Alliant®	Reloder 15	30.5	2076	34.5	2327
VihtaVuori	Viht. N540	30.5	1988	34.5	2280
Alliant®	Reloder 10X	25.0	1971	29.0	2235
IMR	IMR 4895	28.5	1942	32.5	2230
Accurate	AA 2460*	27.0	1982	31.0	2226



<b>Max. Case Length:</b>	2.040"	<b>Cart. Case:</b>	Winchester
<b>Trim-to Length:</b>	2.030"	<b>Primer:</b>	CCI® 200/250*
<b>Max Cart. OAL:</b>	2.550"	<b>Test Firearm:</b>	Universal Receiver
<b>RCBS® Shell Holder:</b>	#2	<b>Barrel Length:</b>	24"

Maximum Loads should be used with CAUTION • C = Compressed Load • \* Magnum Primer used with this powder.