



270 Winchester Short Magnum

with 150-grain DeepCurl™ Soft Point

LABNOTES

The 150-grain Speer® DeepCurl™ Soft Point allows the 270 Winchester Short Magnum (WSM) to take large deer species over extended ranges. DeepCurl is engineered to retain its expansion capabilities well beyond practical hunting ranges, so you have confidence that you'll get the terminal effects you need on long shots.

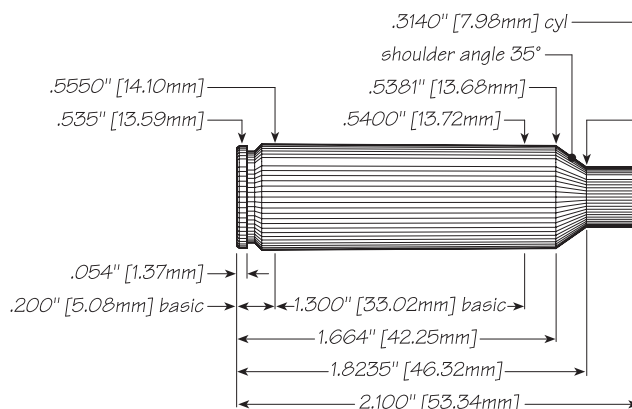
Loaded to 2900 feet per second, a good sight-in strategy for the 150-grain in this cartridge would be to set a 250 yard zero. The bullet should remain well within the 8-inch vital area typical of most big game from muzzle to 300 yards or more.



0.277"	DeepCurl SP
Weight, grains	150
Ballistic Coefficient	0.496
Sectional Density	0.279
COAL Tested:	2.800"
Speer Part No.	1603

Propellant Make	Propellant Type	START CHARGE		MAXIMUM CHARGE	
		Weight, grs	Muzzle Velocity, ft/sec	Weight, grs	Muzzle Velocity, ft/sec
Accurate	Magpro*	64.0	2804	68.0	2980
IMR	IMR 7828*	59.0	2789	63.0	2957
Alliant®	Reloder® 17*	53.0	2762	57.0	2932
Hodgdon	H1000*	62.5	2774	66.5	2897

Don't see your favorite propellant? Don't worry. We are currently in the process of rigorously analyzing additional load data and will post as soon as it becomes available.



WARNING: Improper handloading practices can result in serious personal injury and/or property damage. Refer to the current Speer® Reloading Manual for handloading instructions. Be thoroughly familiar with those instructions before using these loads. As ATK has no control over individual handloading practices or the condition of firearms in which the resulting ammo may be used, we disclaim all liability for any damages that may result from the use of this information.

Speer, Federal, RCBS, Alliant, and Reloder are registered trademarks of ATK, Inc and its subsidiary companies.

Max. Case Length:	2.100"	Cart. Case:	Winchester
Trim-to Length:	2.090"	Primer:	Fed 215*
Max Cart. OAL:	2.860"	Test Firearm:	Universal Receiver
RCBS® Shell Holder:	#43	Barrel Length:	24"

Maximum Loads should be used with CAUTION • C = Compressed Load • * Magnum Primer used with this powder.